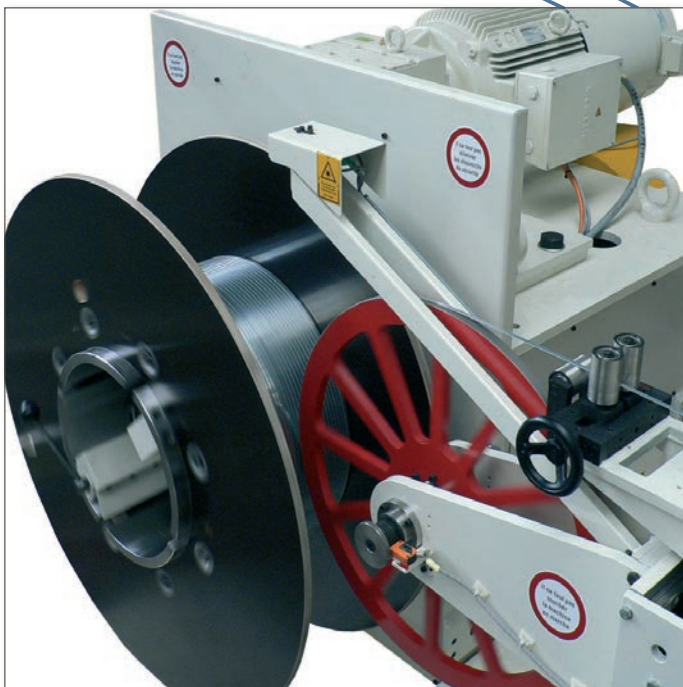

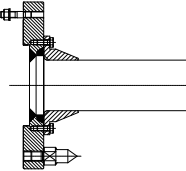
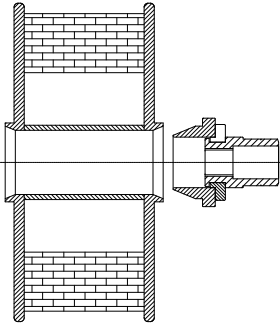

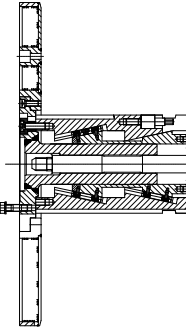
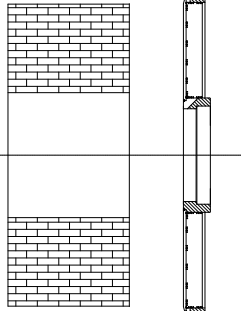


# SMH-Mo/O

## Layer Spooling Machine

Smooth Spooling Layer by Layer



			
			<p><b>Versatile</b></p> <p>Mount of spindle for spools or expandable mandrel for coreless coils</p>

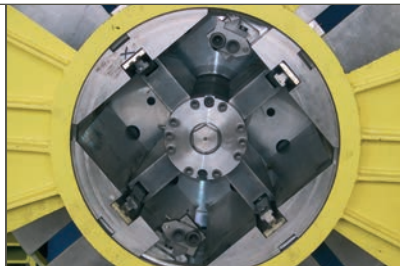
### Accessories:

- » Lifting table for loading and unloading
- » Spindles for spools made of steel, wood or plastic manually or automatically adjusted
- » Manually or automatically expandable mandrels for coreless coils
- » Precise material guides

### Design Variations:

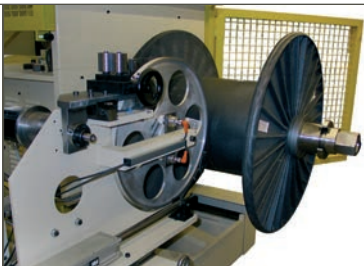
- » Oscillation drive with linear motor for specific demands on dynamics
- » Automated clamping system

# Layer Spooling Machine SMH-Mo/O



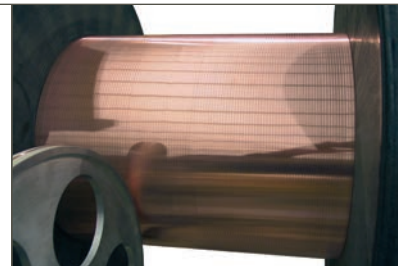
## Massive

Expandable mandrel with taper segments for coreless coils



## Precise

Wire guiding close to the spool



## Faultless

Flat copper wire layer wound on plastic spool



## Machine Characteristics:

- » Spool body oscillating horizontally cross to material's pass line
- » Straight, static material way
- » Main shaft housing mounted on maintenance free linear roller guides
- » Main shaft with flange for mounting spindles, expandable mandrels, etc.
- » Easy handling because of cantilever spool mounting
- » Oscillation drive with computer controlled servomotor
- » Strong safety cage

## Technical Data:

Type	SMHx-Mo/O				
Size (x)	400	630	1.000	1.600	2.500
Gross capacity [kg]	125	1.000	2.000	4.000	16.000
Oscillation stroke [mm]	360	630	860	1.290	2.250
Max. outer spool diameter [mm]	400	1.000	1.000	1.600	2.500



FUHR GmbH & Co. KG  
Ottenhausener Straße 49  
32839 Steinheim  
Germany

Phone +49.5233.38360-0  
Fax +49.5233.38360-50  
office@fuhr-wire.com  
www.fuhr-wire.com